

Memory ReRAM

8M (1024 K × 8) Bit SPI

MB85AS8MT

■ DESCRIPTION

MB85AS8MT is a ReRAM (Resistive Random Access Memory) chip in a configuration of 1,048,576 words × 8 bits, using the resistance-variable memory process and silicon gate CMOS process technologies for forming the nonvolatile memory cells.

MB85AS8MT adopts the Serial Peripheral Interface (SPI).

MB85AS8MT is able to retain data without using a back-up battery, as is needed for SRAM.

The memory cells used in the MB85AS8MT can be used for 1×10^6 rewrite operations.

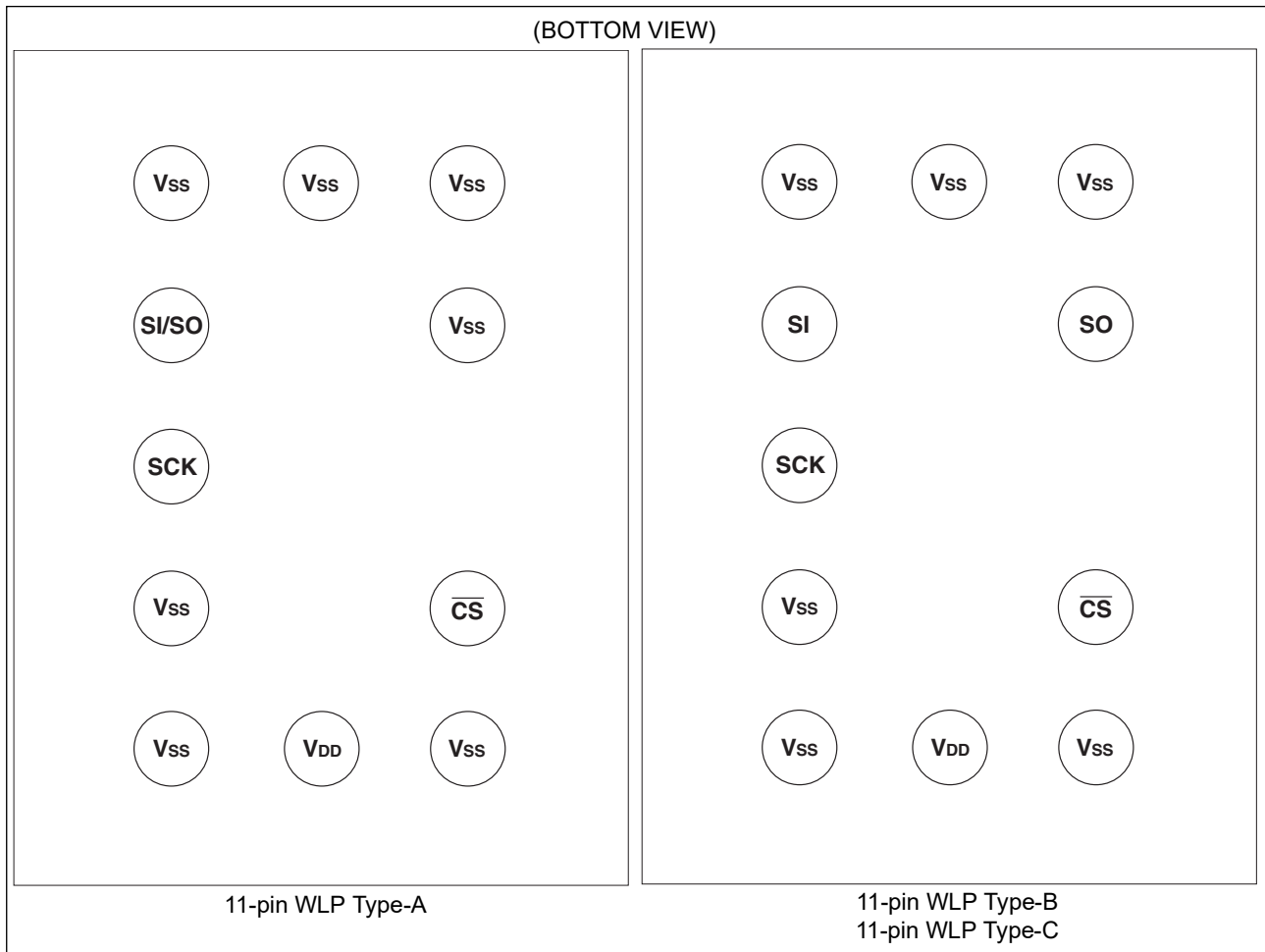
■ FEATURES

- Bit configuration : 8 Mbits (1,048,576 words × 8 bits)
- Serial Peripheral Interface : SPI (Serial Peripheral Interface)
Correspondent to SPI mode 0 (0, 0) and mode 3 (1, 1)
- Write buffer size : 256 bytes
- Operating frequency : 10 MHz (Max)
- Data endurance : 1×10^6 times / 4bytes*
*4 bytes are selected by A1 to A0.
- Data retention : 10 years (+85 °C)
- Operating power supply voltage : 1.6 V to 3.6 V
- Operating power supply current : Write current 1.5 mA (Typ)
Read current 0.15 mA (Typ@5 MHz)
Standby current 60 μ A (Typ)
Sleep current 6 μ A (Typ)
- Operation ambient temperature range : -40 °C to +85 °C
- Package : 11-pin WLP
RoHS compliant

Fujitsu Semiconductor Memory Solutions Limited has changed its name to RAMXEED Limited. RAMXEED Limited will continue to offer and support existing products while maintaining Fujitsu's part number unchanged.

MB85AS8MT

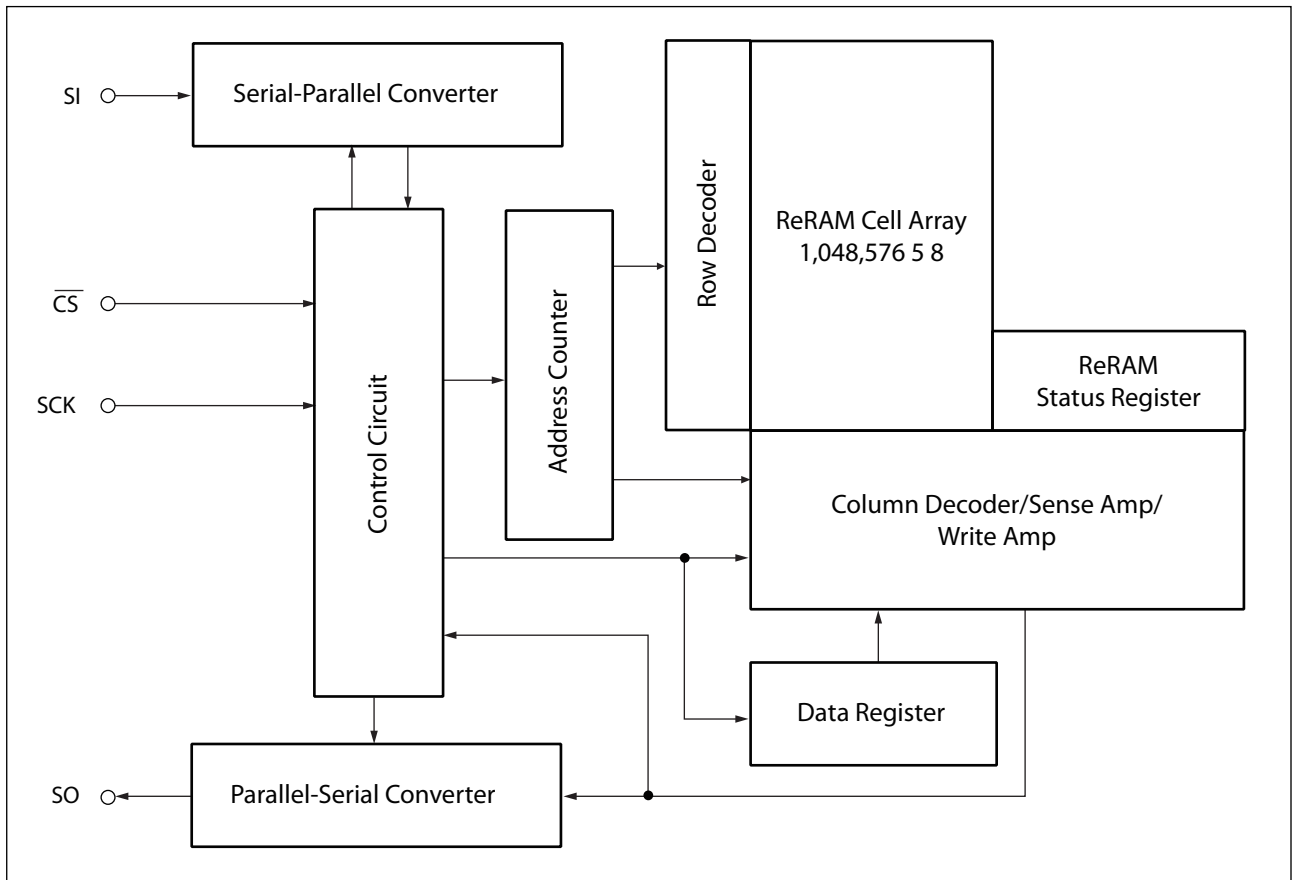
■ PIN ASSIGNMENT



■ PIN FUNCTIONAL DESCRIPTIONS

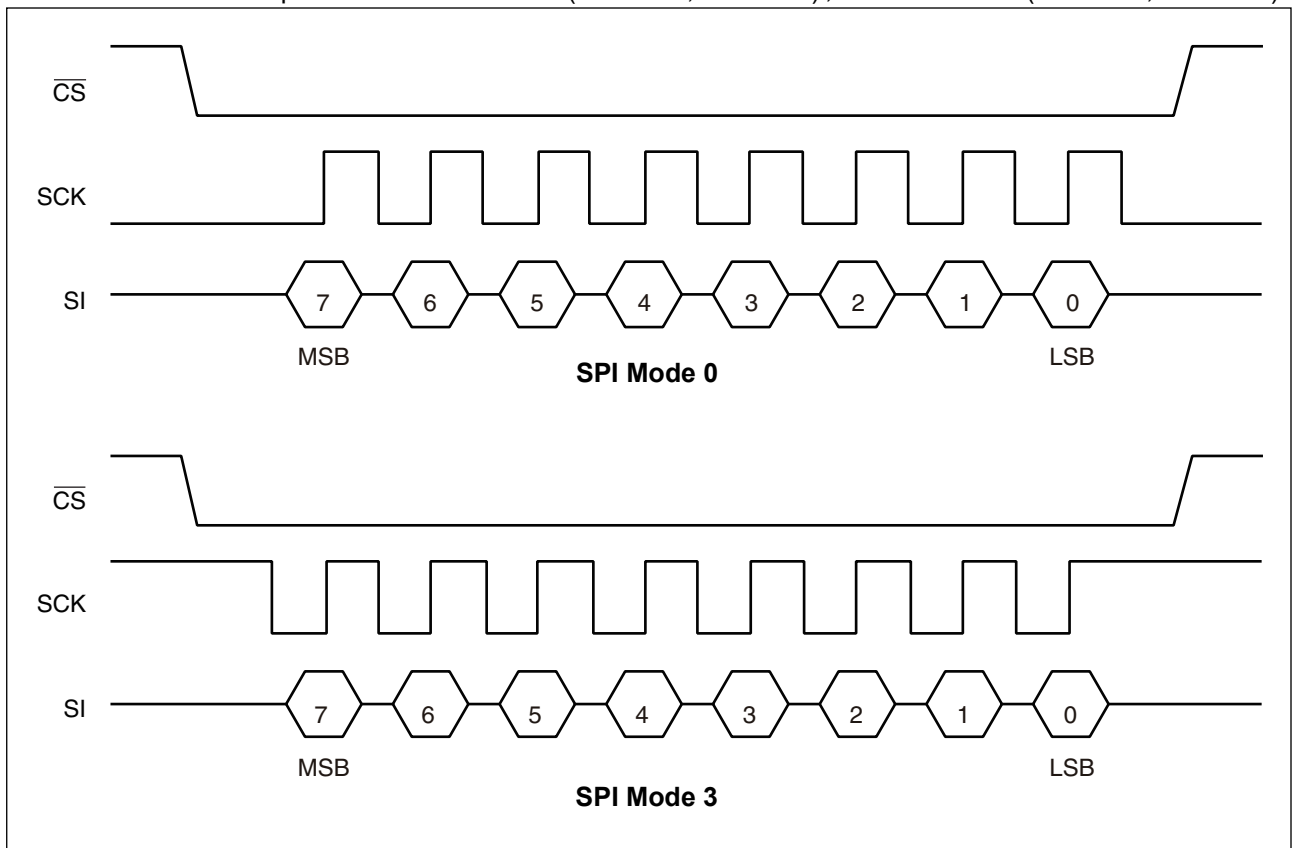
Pin Name	Functional description
\overline{CS}	Chip Select pin This is an input pin to make chips select. When \overline{CS} is "H" level, device is in deselect (standby) status and SO becomes High-Z. Inputs from other pins are ignored for this time. When \overline{CS} is "L" level, device is in select (active) status. \overline{CS} has to be "L" level before inputting op-code.
SCK	Serial Clock pin This is a clock input pin to input/output serial data. SI is loaded synchronously to a rising edge, SO is output synchronously to a falling edge.
SI	Serial Data Input pin This is an input pin of serial data. This inputs op-code, address, and writing data.
SO	Serial Data Output pin This is an output pin of serial data. Reading data of ReRAM memory cell array and status register data are output. This is High-Z during standby.
V _{DD}	Supply Voltage pin
V _{SS}	Ground pin

■ BLOCK DIAGRAM



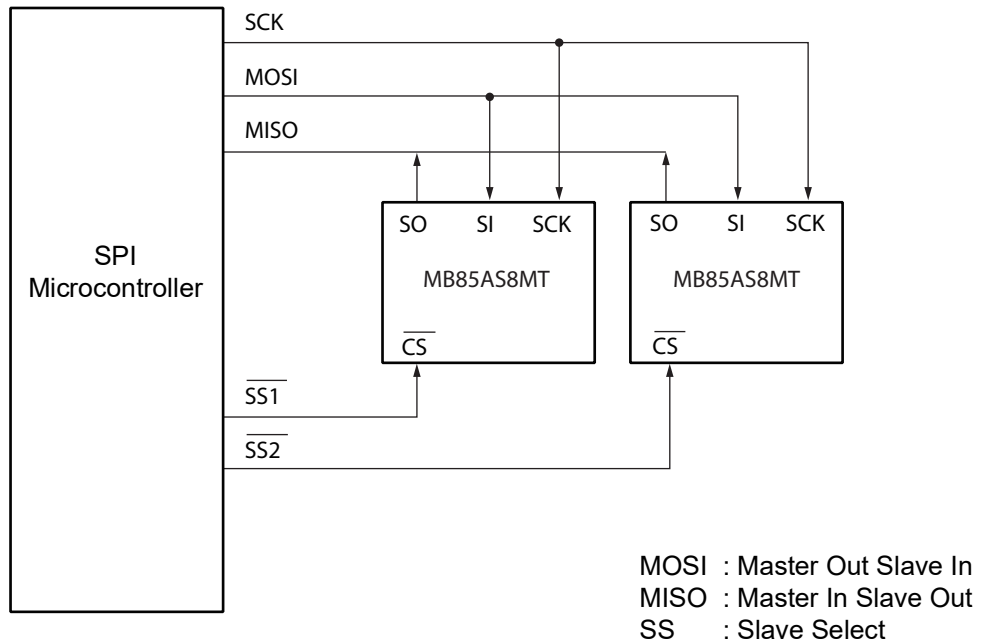
■ SPI MODE

MB85AS8MT corresponds to the SPI mode 0 (CPOL = 0, CPHA = 0), and SPI mode 3 (CPOL = 1, CPHA = 1).

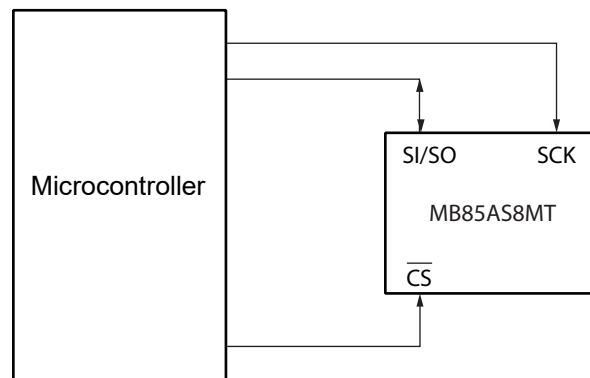


■ SERIAL PERIPHERAL INTERFACE (SPI)

MB85AS8MT works as a slave of SPI. More than 2 devices can be connected by using microcontroller equipped with SPI port. By using a microcontroller not equipped with SPI port, SI and SO can be bus connected to use.



System Configuration with SPI Port



System Configuration without SPI Port

■ STATUS REGISTER

Bit No.	Bit Name	Function
7	WPEN	Not Used Bit This is bit composed of nonvolatile memories, writing with the WRSR command is possible. These bits are not used but they are read with the RDSR command. Initial value is "0".
6 to 4	—	Not Used Bits These are bits composed of volatile memories, writing with the WRSR command is possible. These bits are not used but they are read with the RDSR command. Initial value is "000".
3	BP1	Block Protect This is a bit composed of nonvolatile memory. This defines size of write protect block for the WRITE command (refer to "■BLOCK PROTECT"). Writing with the WRSR command and reading with the RDSR command are possible.
2	BP0	
1	WEL	Write Enable Latch This indicates ReRAM Array and status register are writable. The WREN command is for setting, and the WRDI command is for resetting. With the RDSR command, reading is possible but writing is not possible with the WRSR command. WEL is reset after the following operations. After power ON. The rising edge of \overline{CS} after WRDI command recognition. The end of writing process after WRSR command recognition. The end of writing process after WRITE command recognition.
0	WIP	Write In Progress This indicates ReRAM Array and status register are in writing process. During this writing process, any commands except RDSR will not be executed (refer to "■WRITING OPERATION OF NONVOLATILE MEMORY 2. WIP polling"). With the RDSR command, reading is possible but writing is not possible with the WRSR command.

■ OP-CODE

MB85AS8MT accepts 10 kinds of command specified in op-code. Op-code is a code composed of 8 bits shown in the table below. Do not input invalid codes other than those codes. If \overline{CS} is risen while inputting op-code, the command are not performed.

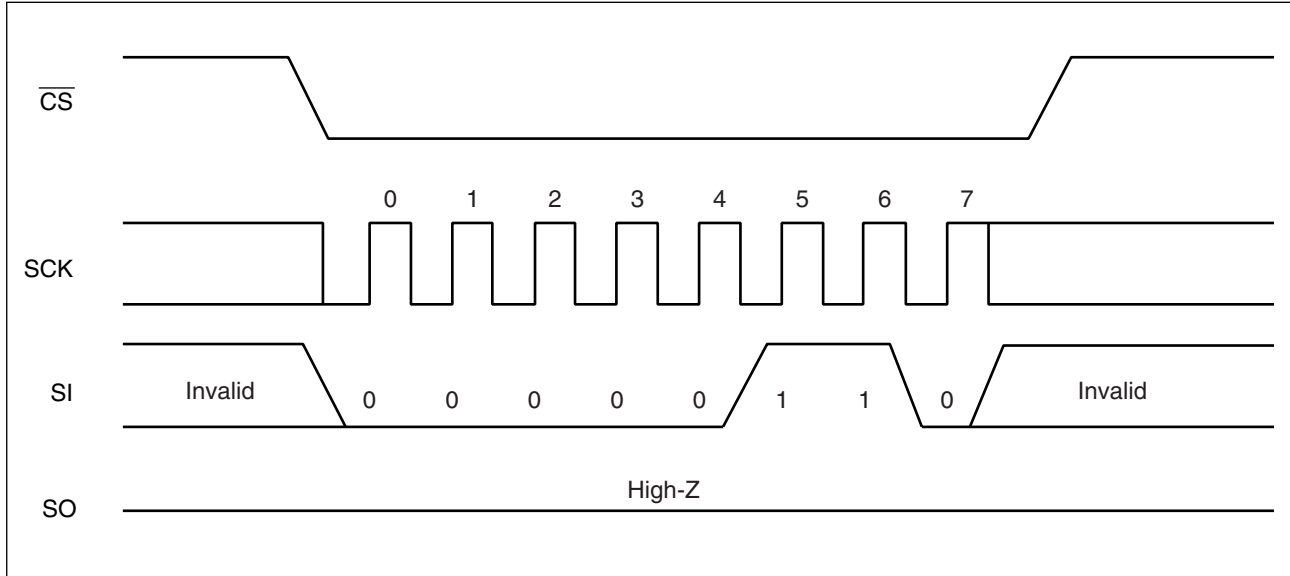
Name	Description	Op-code
WREN	Set Write Enable Latch	0000 0110 _B
WRDI	Reset Write Enable Latch	0000 0100 _B
RDSR	Read Status Register	0000 0101 _B
WRSR	Write Status Register	0000 0001 _B
READ	Read Memory Code	0000 0011 _B
WRITE	Write Memory Code	0000 0010 _B
RDID	Read Device ID	1001 1111 _B
RDUID	Read Device ID and Unique ID	1000 0011 _B
SLEEP	Enter Sleep Mode (Power Down Mode)	1011 1001 _B
PWDN		1110 0010 _B

MB85AS8MT

■ COMMAND

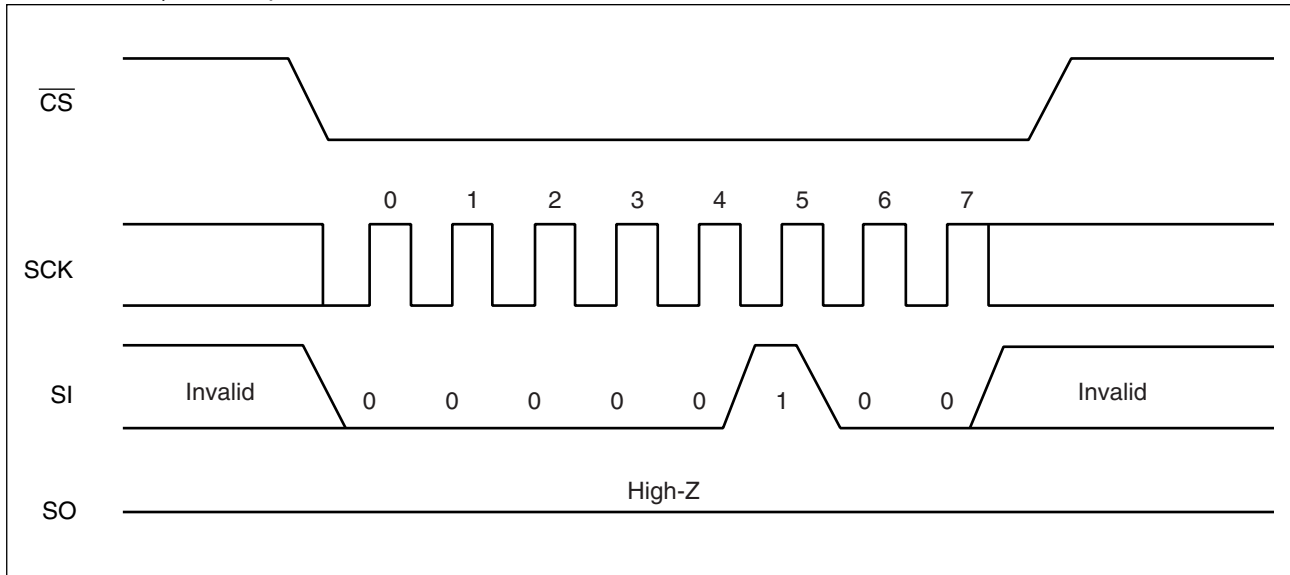
• WREN

The WREN command sets WEL (Write Enable Latch) . WEL has to be set with the WREN command before writing operation (WRSR command and WRITE command) .



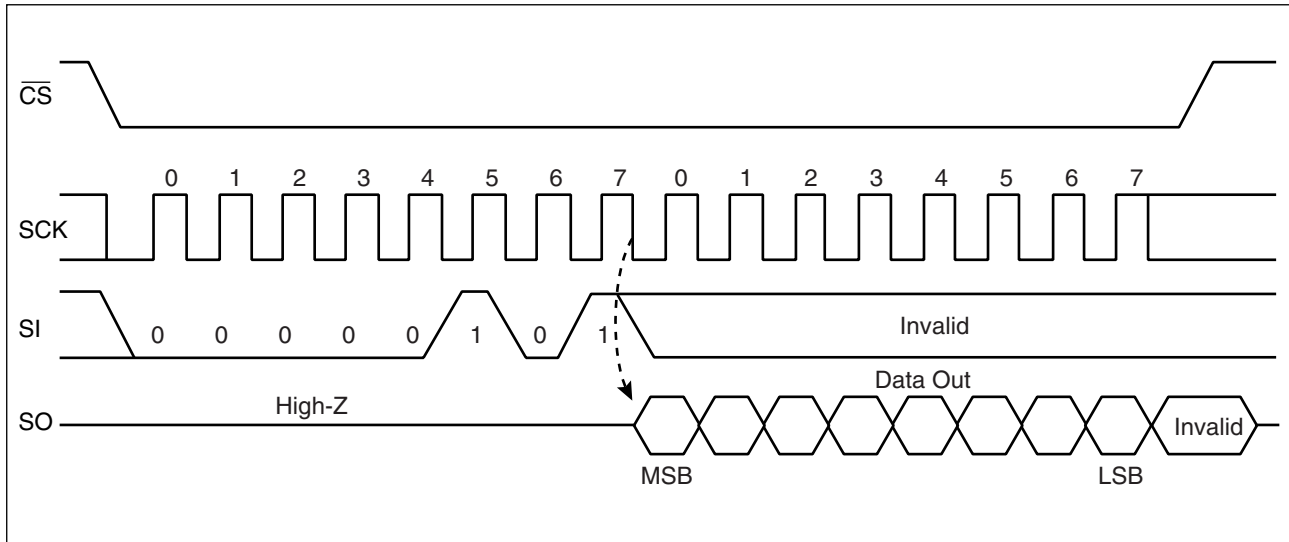
• WRDI

The WRDI command resets WEL (Write Enable Latch) . Writing operation (WRSR command and WRITE command) are not performed when WEL is reset.



• RDSR

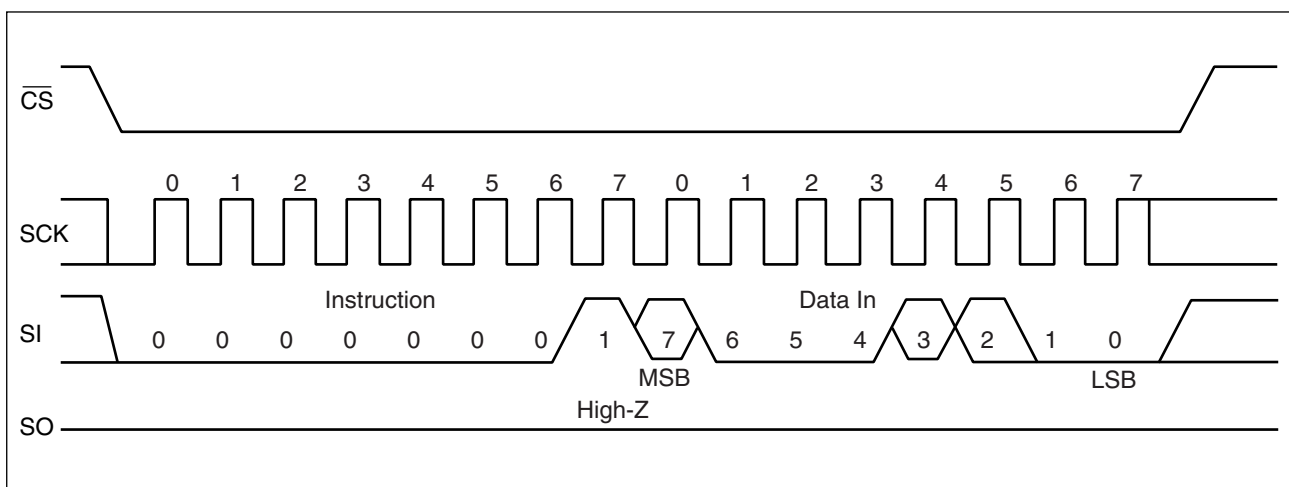
The RDSR command reads status register data. After op-code of RDSR is input to SI, 8-cycle clock is input to SCK. The SI value is invalid for this time. SO is output synchronously to a falling edge of SCK. In the RDSR command, repeated reading of status register is enabled by sending SCK continuously before rising of \overline{CS} .



• WRSR

The WRSR command writes data to the nonvolatile memory bit of status register. After performing WRSR op-code to a SI pin, 8 bits writing data is input. WEL (Write Enable Latch) is not able to be written with WRSR command. A SI value correspondent to bit 1 is ignored. Bit 0 of the status register cannot be written. The SI value corresponding to bit 0 is ignored. \overline{WP} signal level shall be fixed before performing WRSR command, and do not change the \overline{WP} signal level until the end of command sequence.

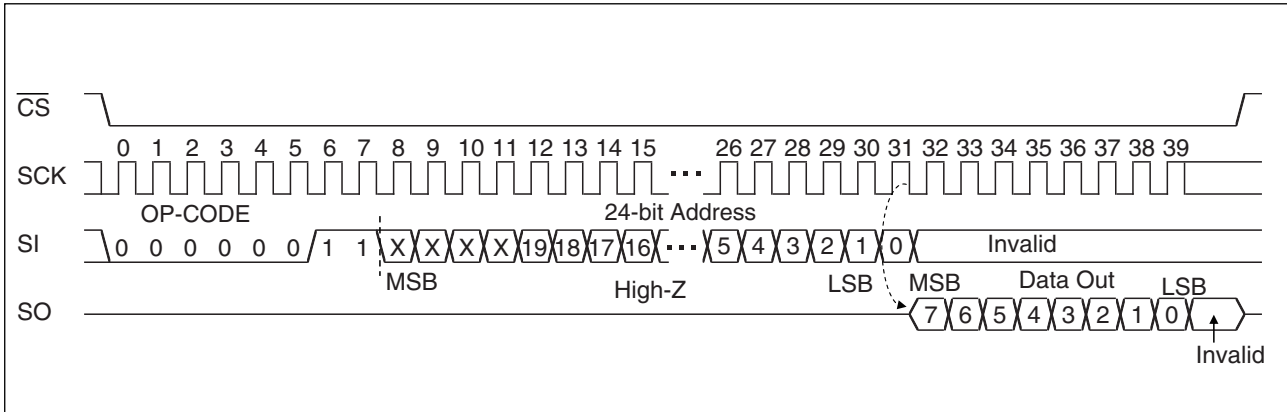
After rising edge of \overline{CS} , MB85AS8MT starts writing operation to nonvolatile register and set WIP bit in status register to "1". After this writing operation has finished, reset this WIP bit from "1" to "0". Although the RDSR command is executable for WIP polling during this writing process, any other commands will not be performed.



MB85AS8MT

• READ

The READ command reads ReRAM memory cell array data. Arbitrary 24 bits address and op-code of READ are input to SI. The 4-bit upper address bit is invalid. Then, 8-cycle clock is input to SCK. SO is output synchronously to the falling edge of SCK. While reading, the SI value is invalid. When \overline{CS} is risen, the READ command is completed, but keeps on reading with automatic address increment which is enabled by continuously sending clocks to SCK in unit of 8 cycles before \overline{CS} rising. When it reaches the most significant address, it rolls over to the starting address, and reading cycle keeps on infinitely.

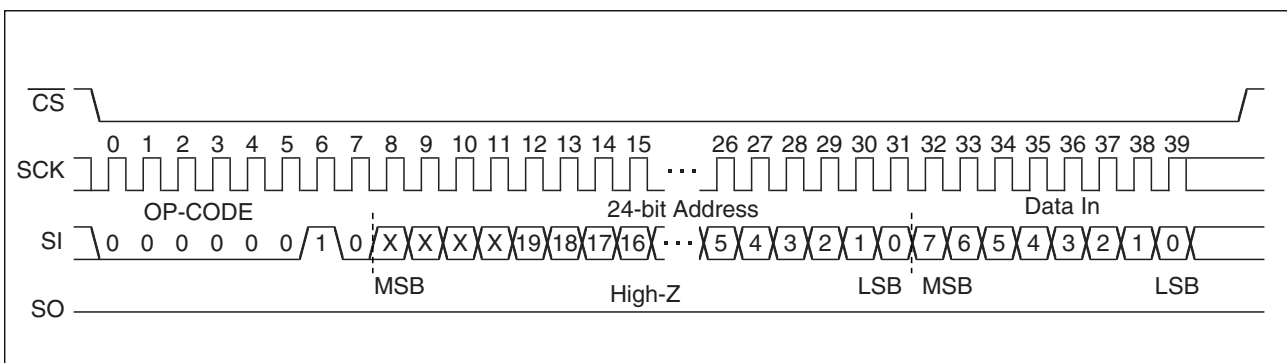


• WRITE

The WRITE command writes data to ReRAM memory cell array. WRITE op-code, arbitrary 24 bits of address and 8 bits of writing data are input to SI. The 4-bit upper address bit is invalid.

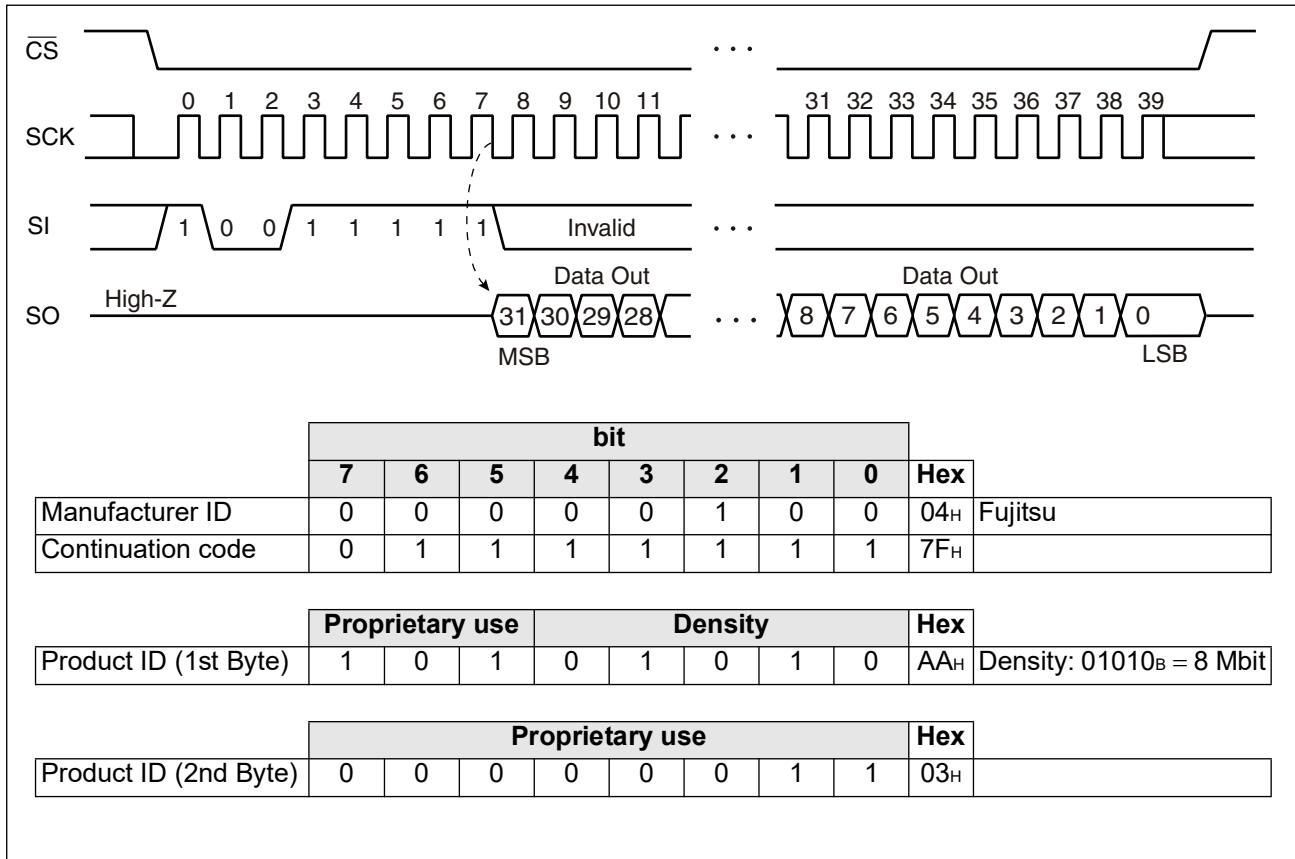
During the \overline{CS} is low, input writing data are temporary saved in the data register. The maximum writing data size is 256 bytes during this \overline{CS} = low period. If the input writing data are more than 8 bits, it is possible to continue writing with automatic address increment. When it reaches the most significant address, it rolls over to the starting address, and writing cycle can be continued up to 256 bytes (which is the size of data register). Data exceed 256 bytes can not be written.

After rising edge of \overline{CS} , MB85AS8MT starts writing operation to nonvolatile memory and set WIP bit in status register to "1". After this writing operation has finished, reset this WIP bit from "1" to "0". Although the RDSR command is executable for WIP polling during this writing process, any other commands will not be performed.



• RDID

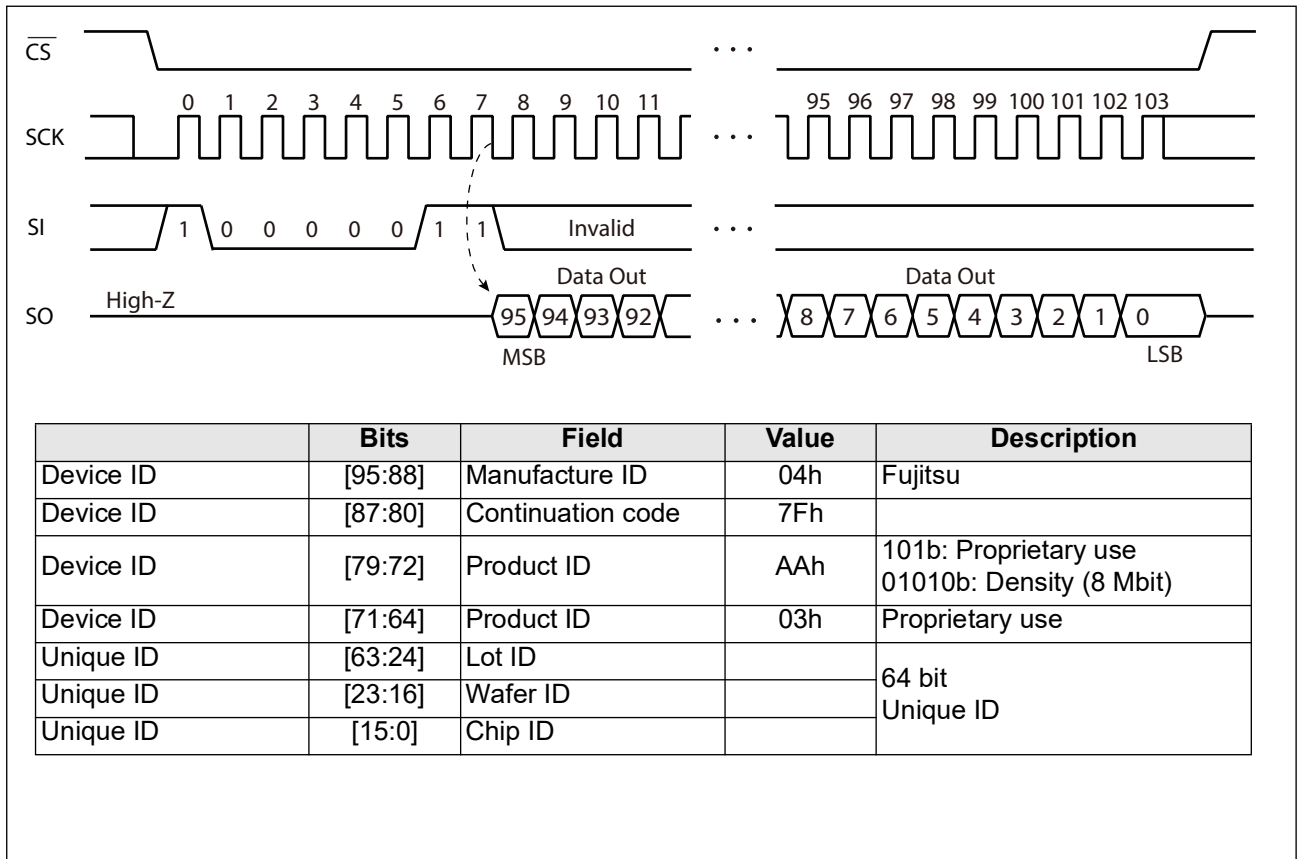
The RDID command reads fixed Device ID. After performing RDID op-code to SI, 32-cycle clock is input to SCK. The SI value is invalid for this time. SO is output synchronously to a falling edge of SCK. The output is in order of Manufacturer ID (8bit)/Continuation code (8bit)/Product ID (1st Byte)/Product ID (2nd Byte). In the RDID command, SO holds the output state of the last bit in 32-bit Device ID until \overline{CS} is risen.



MB85AS8MT

• RDUID

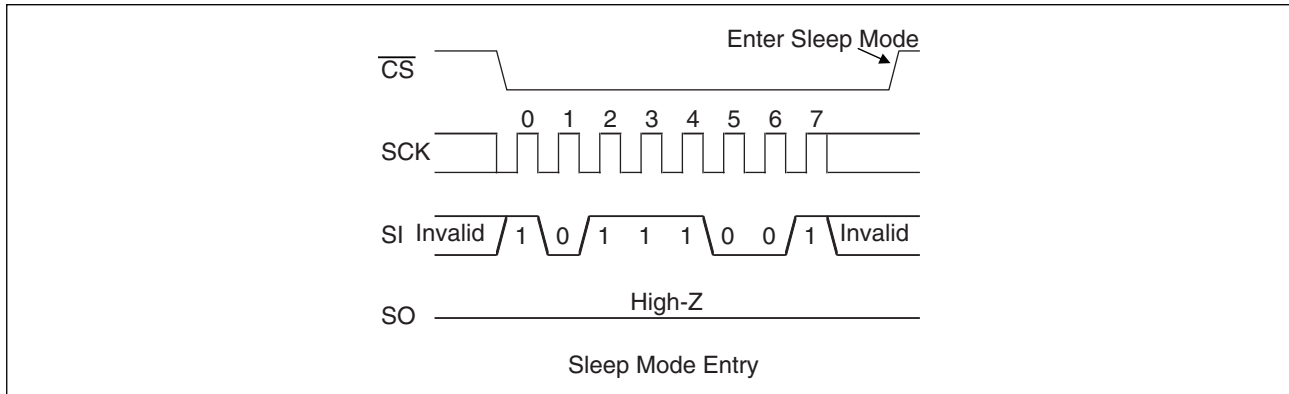
The RDUID command reads (common) Device ID and (each chip-specific) Unique ID. After performing RDUID op-code to SI, 96-cycle clock is input to SCK. The SI value is invalid for this time. SO is output synchronously to a falling edge of SCK. The output is in order of Manufacturer ID (8bit) / Continuation code (8bit) / Product ID (1st Byte) / Product ID (2nd Byte) as Device ID and Lot ID (40bit) / Wafer ID (8bit) / Chip ID (16bit) as Unique ID. In the RDUID command, SO holds the output state of the last bit in 96-bit Device ID and Unique ID until \overline{CS} is risen.



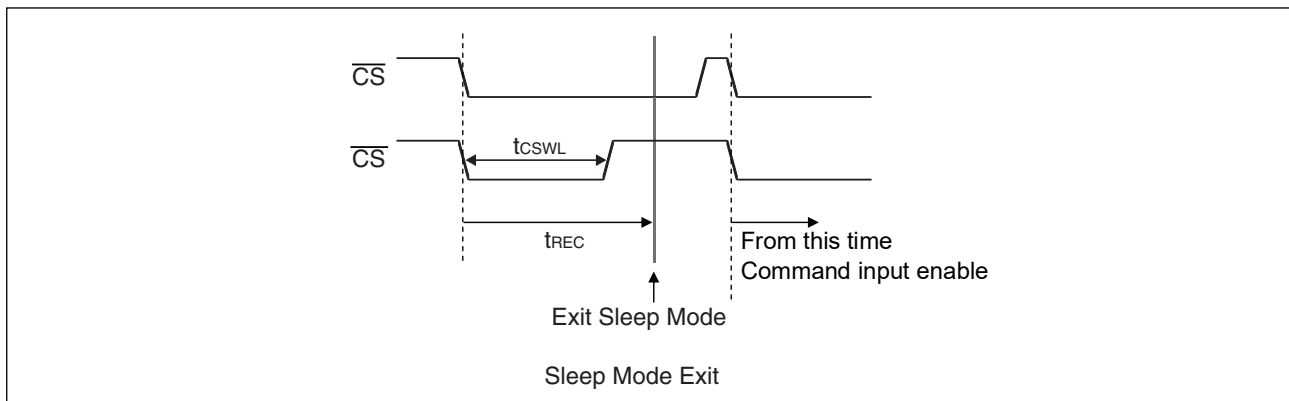
• SLEEP/PWDN

The SLEEP/PWDN command shifts the LSI to a low power mode called “SLEEP mode” (“Power Down mode”). The transition to the SLEEP mode (Power Down mode) is carried out at the rising edge of \overline{CS} after operation code in the SLEEP (PWDN) command. However, when at least one SCK clock is inputted before the rising edge of \overline{CS} after operation code in the SLEEP (PWDN) command, this SLEEP (PWDN) command is canceled.

After the SLEEP mode (Power Down mode) transition, SCK and SI inputs are ignored and SO changes to a High-Z state.



Returning to a normal operation from the SLEEP mode (Power Down mode) is carried out after t_{REC} time from the falling edge of \overline{CS} (see the figure below). It is possible to return \overline{CS} to H level before t_{REC} time. However, it is prohibited to bring down \overline{CS} to L level again during t_{REC} period.



■ WRITING OPERATION OF NONVOLATILE MEMORY

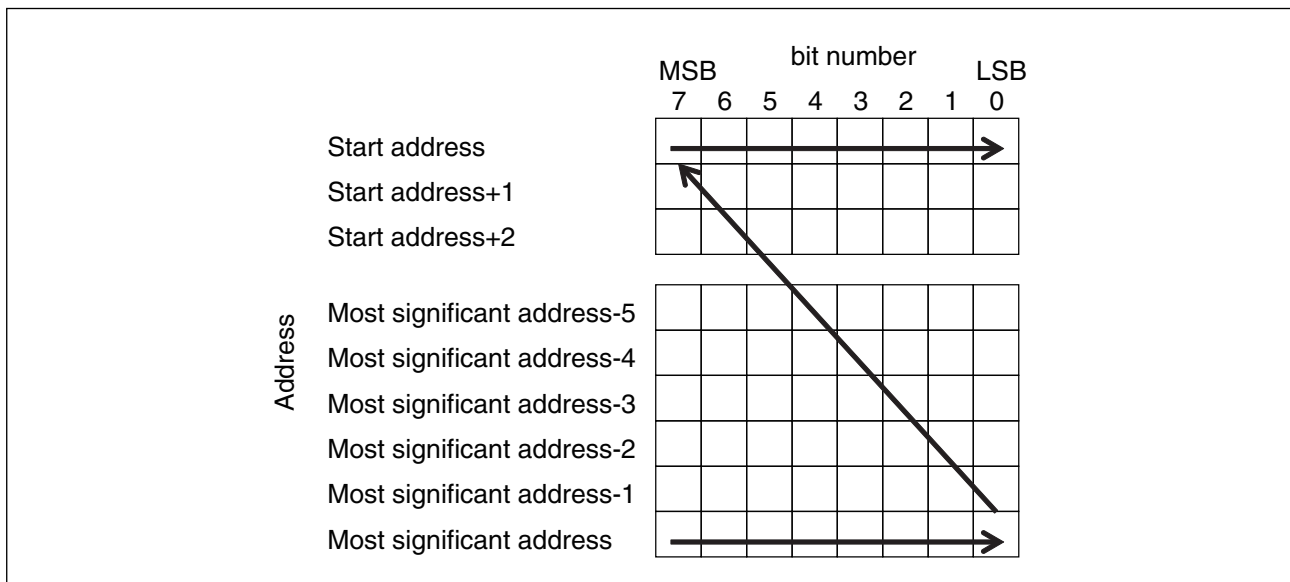
Each input data is not written to the nonvolatile memory by unit of byte right after its data input. Multiple bytes up to maximum 256 bytes are temporarily saved to the data register. After the command input is finished and rising edge of \overline{CS} , start writing operation from this data register to the nonvolatile memory.

1. Address counter control

In case of memory access by WRITE and READ commands, after the end of op-code and address input, it is possible to keep on accessing (= reading or writing) with automatic address increment which is enabled by continuously sending clocks to SCK in unit of 8 cycles while \overline{CS} is low level. However, for the WRITE command, continuous writing is restricted by the limit of buffer size in the data register.

When it reaches the most significant address, it rolls over to the starting address, and this automatic address increment will be continued by the address counter control.

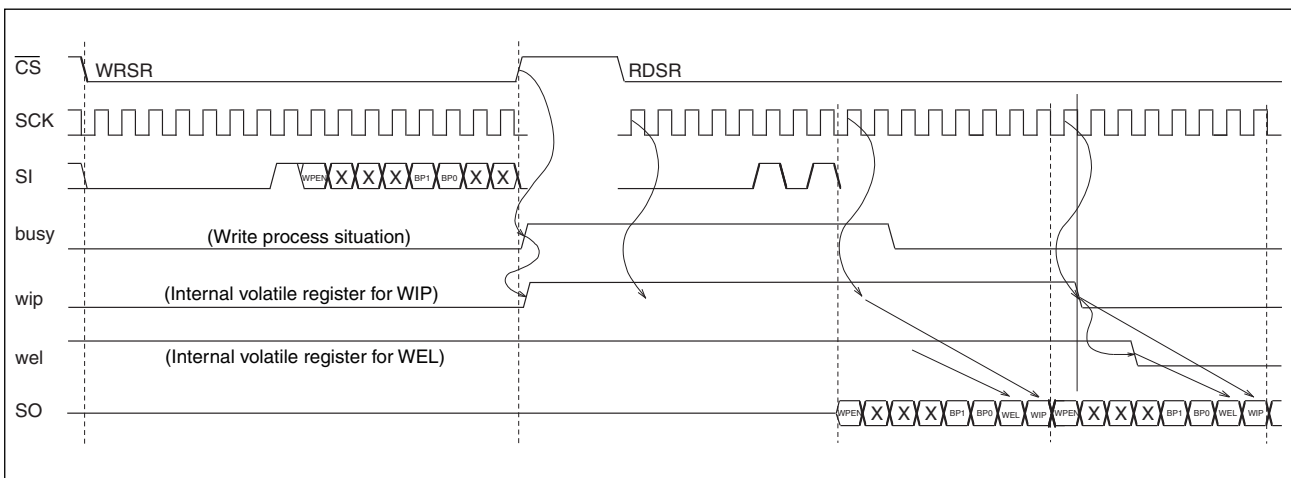
Over write protection to the nonvolatile memory is enabled by BP0 and BP1 bits in status register. When the memory address exceed it from write protected block to unprotected block by address counter control, write to the unprotected block only. Similarly, when memory address exceed it from unprotected block to protected block, does not write to the protected block.



2. WIP polling

After the last writing data was input, writing to the nonvolatile memory needs t_{wc} waiting time from the rising edge of \overline{CS} . This t_{wc} time becomes larger than a minimum clock cycle. Production variation and operating condition are considered, and this maximum t_{wc} value is defined. In the usual operation, this t_{wc} time is shorter than the maximum value. Therefore, MB85AS8MT supports WIP polling to improve memory access by optimizing the waiting time.

After starting the data writing to nonvolatile memory, MB85AS8MT sets "1" to a volatile register related to the WIP bit in status register. After finished the writing operation, reset this WIP bit from "1" to "0". Although the usual commands are not executable during this writing process, only the RDSR command is acceptable. RDSR command outputs the value of status register to SO. It is possible to confirm if the internal writing operation to nonvolatile memory is finished or not, by checking the corresponding bit to WIP in output data from SO.



RDSR command also outputs the WPEN, BP1 and BP0 of status register to SO. In the polling after WRSR command, MB85AS8MT outputs the WPEN, BP1 and BP0 data which is set before the writing to nonvolatile memory is completed. On the other hand for WEL and WIP, MB85AS8MT outputs (WEL,WIP)=2'b11 when the writing to nonvolatile memory is not completed. When it is completed, outputs (WEL,WIP)=2'b00.

If continuously sending clocks to SCK during $\overline{CS} = \text{low}$, it is also possible to keep on outputting WPEN to WIP bits in status register in unit of 8 cycles since 17th clock. In case the WIP polling is applied, WIP and WEL bits in status register output to SO by RDSR command are updated regularly.

Figure shows the example of RDSR command input with continuously sending clocks over 17 during $\overline{CS} = \text{low}$, before the writing process of WRSR command is finished.

■ BLOCK PROTECT

Writing protect block for WRITE command is configured by the value of BP0 and BP1 in the status register.

BP1	BP0	Protected Block
0	0	None
0	1	C0000 _H to FFFFF _H (upper 1/4)
1	0	80000 _H to FFFFF _H (upper 1/2)
1	1	00000 _H to FFFFF _H (all)

■ WRITING PROTECT

Writing operation of the WRITE command and the WRSR command are protected with the value of WEL, as shown in the table. .

WEL	Protected Blocks	Unprotected Blocks	Status Register
0	Protected	Protected	Protected
1	Protected	Unprotected	Unprotected

■ ABSOLUTE MAXIMUM RATINGS

Parameter	Symbol	Rating		Unit
		Min	Max	
Power supply voltage*	V_{DD}	- 0.5	+ 4.0	V
Input voltage*	V_{IN}	- 0.5	$V_{DD} + 0.5 (\leq 4.0)$	V
Output voltage*	V_{OUT}	- 0.5	$V_{DD} + 0.5 (\leq 4.0)$	V
Operation ambient temperature	T_A	- 40	+ 85	°C
Storage temperature	T_{stg}	- 55	+ 125	°C

*:These parameters are based on the condition that V_{SS} is 0 V.

WARNING: Semiconductor devices may be permanently damaged by application of stress (including, without limitation, voltage, current or temperature) in excess of absolute maximum ratings.
Do not exceed any of these ratings.

■ RECOMMENDED OPERATING CONDITIONS

Parameter	Symbol	Value			Unit
		Min	Typ	Max	
Power supply voltage* ¹	V_{DD}	1.6	—	3.6	V
Operation ambient temperature* ²	T_A	- 40	—	+ 85	°C

*1: These parameters are based on the condition that V_{SS} is 0 V.

*2: Ambient temperature when only this device is working. Please consider it to be the almost same as the package surface temperature.

WARNING: The recommended operating conditions are required in order to ensure the normal operation of the semiconductor device. All of the device's electrical characteristics are warranted when the device is operated under these conditions.

Any use of semiconductor devices will be under their recommended operating condition. Operation under any conditions other than these conditions may adversely affect reliability of device and could result in device failure.

No warranty is made with respect to any use, operating conditions or combinations not represented on this data sheet. If you are considering application under any conditions other than listed herein, please contact sales representatives beforehand.

MB85AS8MT

■ ELECTRICAL CHARACTERISTICS

1. DC Characteristics

(within recommended operating conditions)

Parameter	Symbol	Condition	Value			Unit
			Min	Typ	Max	
Input leakage current	$ I_{Li} $	\overline{CS}, SCK, SI $= 0\text{ V to }V_{DD}$	—	—	1	μA
Output leakage current	$ I_{Lo} $	$SO = 0\text{ V to }V_{DD}$	—	—	1	μA
Operating power supply current (Read)	$I_{DDR} (60)$	$SCK = 5\text{ MHz},$ $T_A = 0\text{ }^\circ\text{C to }60\text{ }^\circ\text{C},$ $1.6\text{ V} \leq V_{DD} \leq 2.0\text{ V}$	—	0.15	0.3	mA
	$I_{DDR} (85)$	$SCK = 10\text{ MHz},$ $T_A = -40\text{ }^\circ\text{C to }85\text{ }^\circ\text{C},$ $1.6\text{ V} \leq V_{DD} \leq 3.6\text{ V}$	—	—	0.7	
Operating power supply current (Write)	$I_{DDW} (60)$	$SCK = t_{WC},$ $T_A = 0\text{ }^\circ\text{C to }60\text{ }^\circ\text{C},$ $1.6\text{ V} \leq V_{DD} \leq 2.0\text{ V}$	—	1.5	—	mA
	$I_{DDW} (85)$	$SCK = t_{WC},$ $T_A = -40\text{ }^\circ\text{C to }85\text{ }^\circ\text{C},$ $1.6\text{ V} \leq V_{DD} \leq 3.6\text{ V}$	—	—	2.5	
Standby current	I_{SB}	$SCK = SI = \overline{CS} = V_{DD}$	—	60	500	μA
Sleep current	I_{ZZ}	$\overline{CS} = V_{DD}$ All inputs V_{SS} or V_{DD} $V_{DD} = 3.6\text{ V}, T_A = 85\text{ }^\circ\text{C}$	—	6	8	μA
		$\overline{CS} = V_{DD}$ All inputs V_{SS} or V_{DD} $V_{DD} = 1.45\text{ V}, T_A = 60\text{ }^\circ\text{C}$	—	—	6	μA
Input high voltage	V_{IH}	$V_{DD} = 1.6\text{ V to }3.6\text{ V}$	$V_{DD} \times 0.7$	—	$V_{DD} + 0.5$	V
Input low voltage	V_{IL}	$V_{DD} = 1.6\text{ V to }3.6\text{ V}$	-0.5	—	$V_{DD} \times 0.3$	V
Output high voltage	V_{OH}	$I_{OH} = -1.5\text{ mA @ }V_{DD} \geq 1.8\text{ V}$ $I_{OH} = -1.2\text{ mA @ }V_{DD} < 1.8\text{ V}$	$V_{DD} \times 0.8$	—	—	V
Output low voltage	V_{OL}	$I_{OL} = 1.5\text{ mA @ }V_{DD} \geq 1.8\text{ V}$ $I_{OL} = 1.2\text{ mA @ }V_{DD} < 1.8\text{ V}$	—	—	$V_{DD} \times 0.2$	V

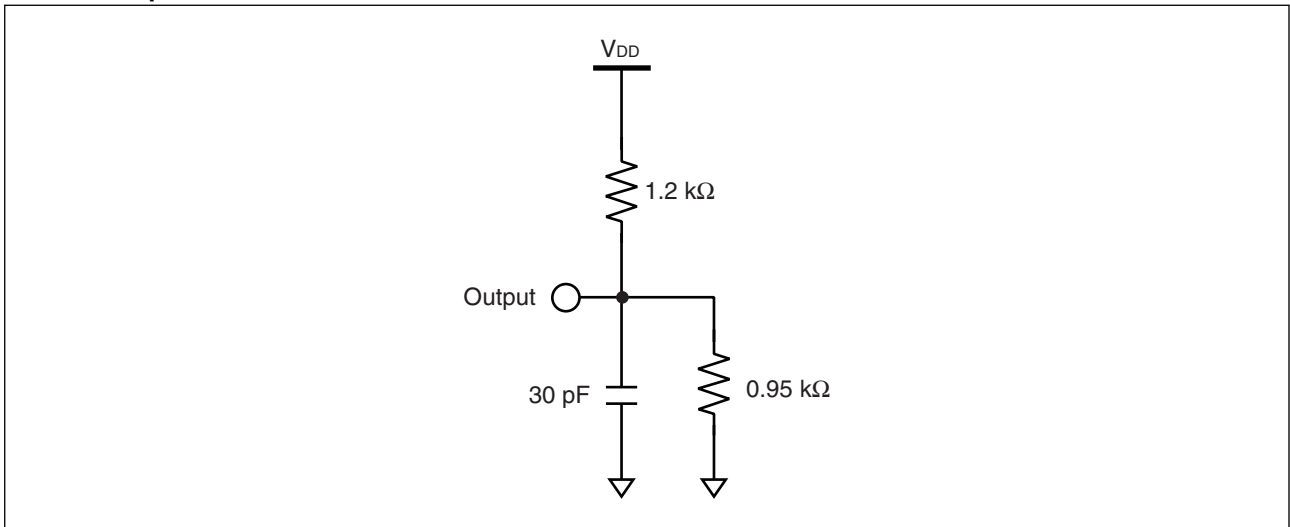
2. AC Characteristics

Parameter	Symbol	Value			Unit	Condition
		Min	Typ	Max		
SCK clock frequency	f_{CK}	0	—	10	MHz	
Clock high time	t_{CH}	40	—	—	ns	
Clock low time	t_{CL}	40	—	—	ns	
Chip select set up time	t_{CSUH}	30	—	—	ns	\overline{CS} rising to SCK rising
	t_{CSUL}	30	—	—		\overline{CS} falling to SCK rising
Chip select hold time	t_{CSHH}	30	—	—	ns	SCK rising to \overline{CS} falling
	t_{CSHL}	30	—	—		SCK rising to \overline{CS} rising
	t_{CSH}	30	—	—		SCK falling to \overline{CS} rising
Output disable time	t_{OD}	—	—	30	ns	
Output active time	t_{OLZ}	0	—	—	ns	
Output data valid time	t_{ODV}	—	—	35	ns	
Output hold time	t_{OH}	0	—	—	ns	
Deselect time	t_D	100	—	—	ns	
Data rising time	t_R	—	—	50	ns	
Data falling time	t_F	—	—	50	ns	
Data set up time	t_{SU}	20	—	—	ns	
Data hold time	t_H	20	—	—	ns	
Write cycle time	t_{WC}	—	5000	10000	μs	@100% data turn over
Recovery time from SLEEP mode	t_{REC}	—	700	1000	μs	
\overline{CS} pulse width at SLEEP mode exit	t_{CSWL}	100	—	—	ns	

AC Test Condition

Power supply voltage	: 1.6 V to 3.6 V
Operation ambient temperature	: -40 °C to +85 °C
Input voltage magnitude	: $V_{DD} \times 0.7 \leq V_{IH} \leq V_{DD}$ $0 \leq V_{IL} \leq V_{DD} \times 0.3$
Input rising time	: 5 ns
Input falling time	: 5 ns
Input judge level	: $V_{DD}/2$
Output judge level	: $V_{DD}/2$

AC Load Equivalent Circuit

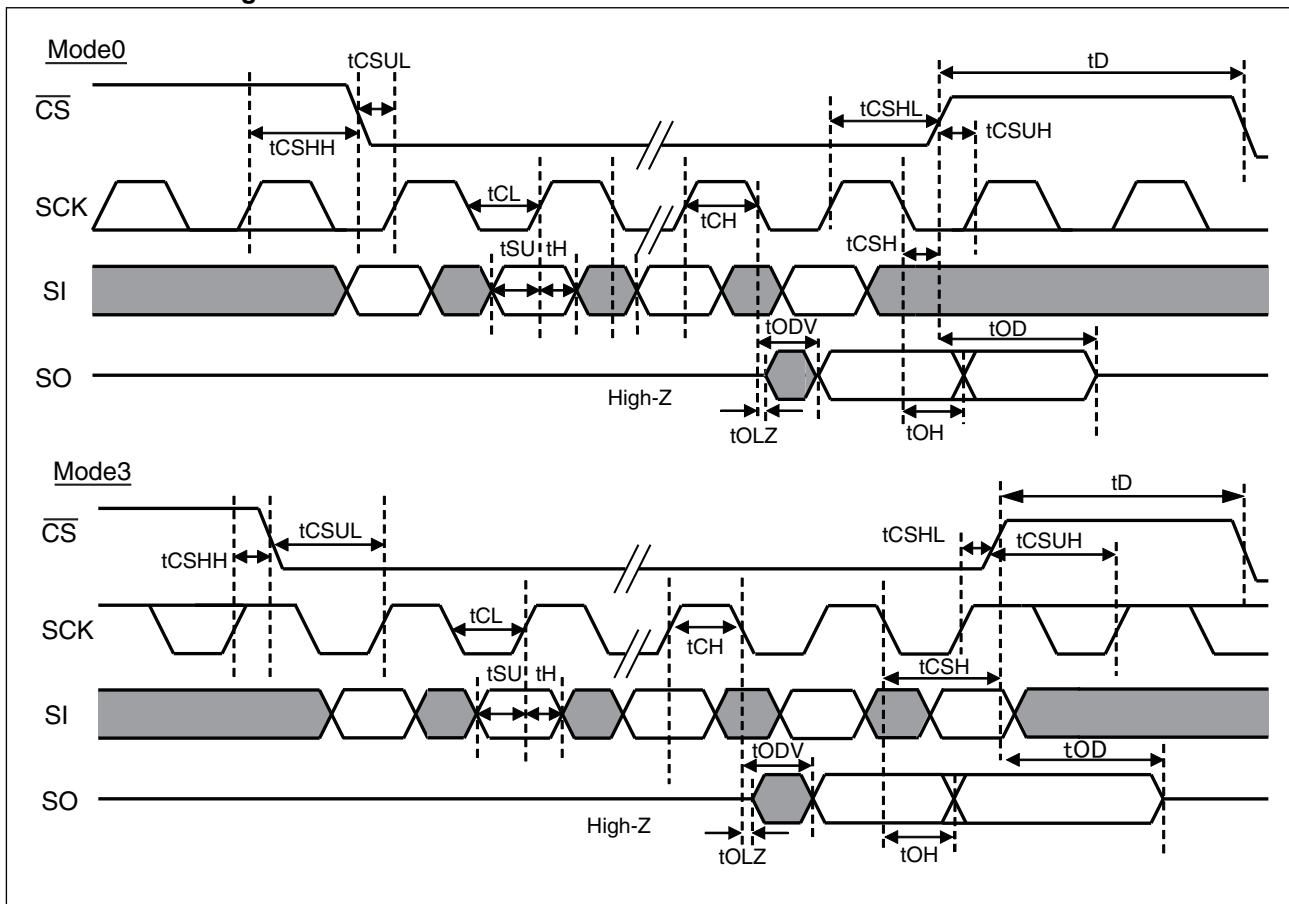


3. Pin Capacitance

Parameter	Symbol	Condition	Value		Unit
			Min	Max	
Output capacitance	C_o	$V_{DD} = V_{IN} = V_{OUT} = 0\text{ V}$, $f = 1\text{ MHz}$, $T_A = +25\text{ °C}$	—	6	pF
Input capacitance	C_i		—	6	pF

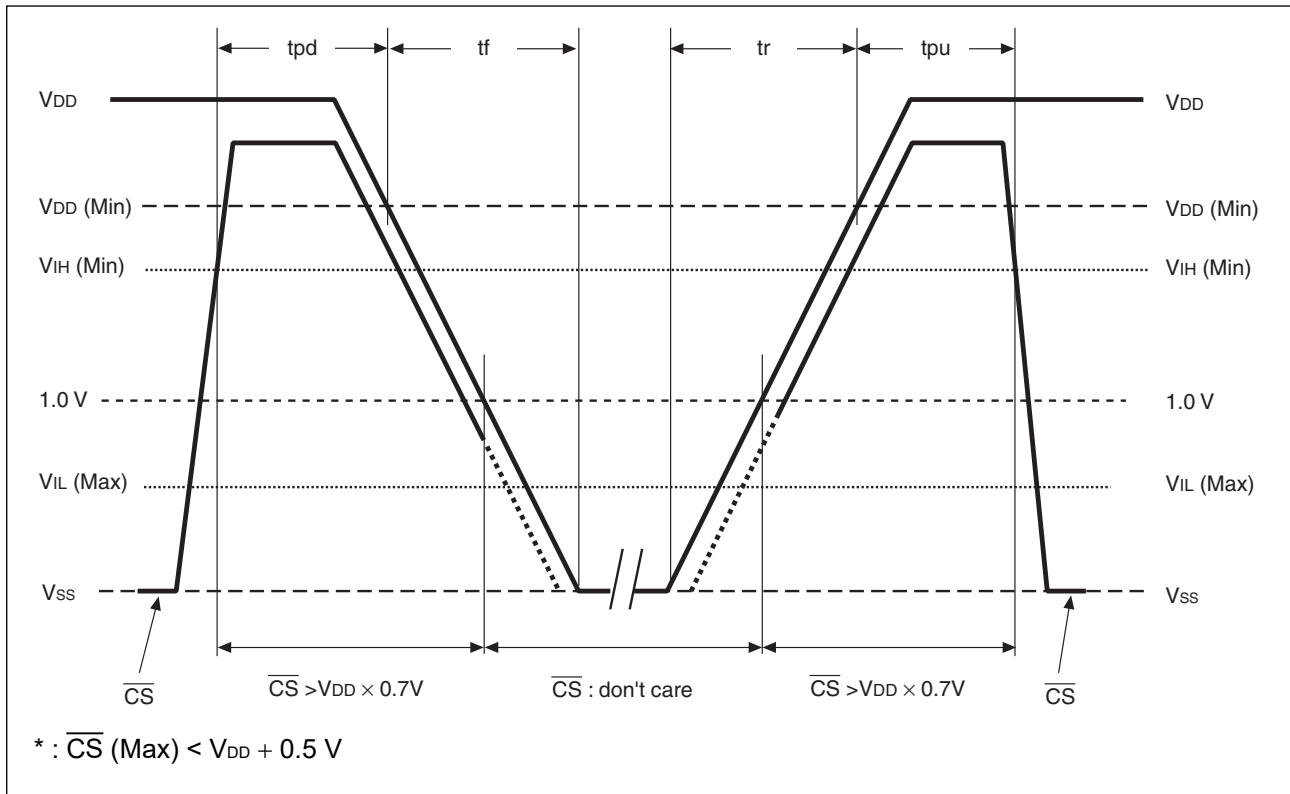
■ TIMING DIAGRAM

• Serial Data Timing



MB85AS8MT

■ POWER ON/OFF SEQUENCE



Parameter	Symbol	Value		Unit
		Min	Max	
\overline{CS} level hold time at power OFF	tpd	10	—	ms
\overline{CS} level hold time at power ON	tpu	1	—	ms
Power supply rising time	tr	50	—	$\mu\text{s/V}$
Power supply falling time	tf	100	—	$\mu\text{s/V}$

If the device does not operate within the specified conditions of read cycle, write cycle or power on/off sequence, memory data can not be guaranteed.

■ ReRAM CHARACTERISTICS

Parameter	Value		Unit	Remarks
	Min	Max		
Write Endurance	1×10^6	—	Times/4bytes*	Operation Ambient Temperature $T_A = + 85 \text{ }^\circ\text{C}$
Data Retention	10	—	Years	Operation Ambient Temperature $T_A = + 85 \text{ }^\circ\text{C}$
Data register size	—	256	byte	

*: 4 bytes are selected by A1 to A0.

■ ESD AND LATCH-UP

Test	DUT	Value
ESD HBM (Human Body Model) JESD22-A114 compliant	MB85AS8MTPF	$\geq 2000 \text{ V} $
ESD CDM (Charged Device Model) JESD22-C101 compliant		$\geq 500 \text{ V} $
Latch-Up (I-test) JESD78 compliant		$\geq 100 \text{ mA} $

■ MB85AS8MT REFLOW CONDITIONS AND FLOOR LIFE

[JEDEC MSL] : Moisture Sensitivity Level 3 (IPC/JEDEC J-STD-020E)

■ CURRENT STATUS ON CONTAINED RESTRICTED SUBSTANCES

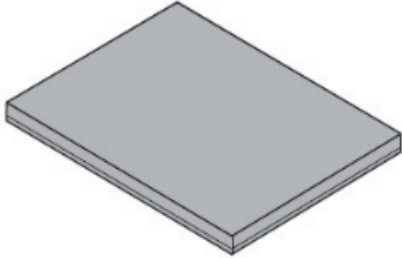
This product complies with the regulations of REACH Regulations, EU RoHS Directive and China RoHS.

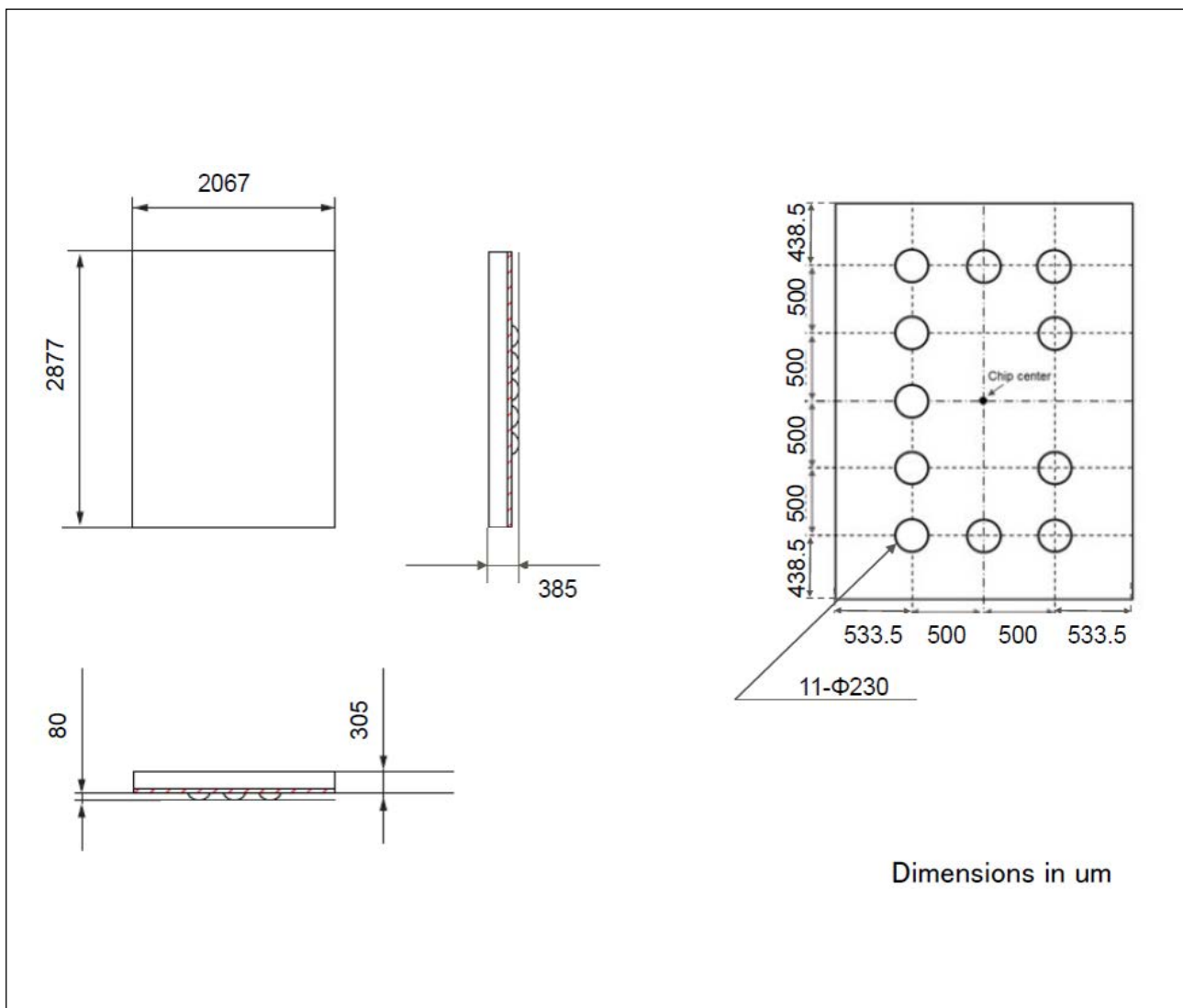
MB85AS8MT

■ ORDERING INFORMATION

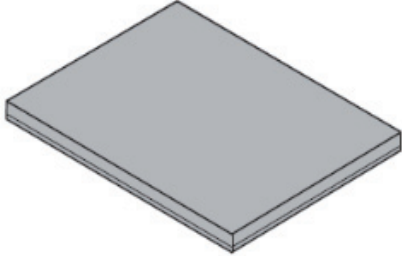
Part number	Package	Shipping form	Minimum shipping quantity
MB85AS8MTPW-G-KBAERE1	11-pin WLP Type-A	Embossed Carrier Tape	10,000
MB85AS8MTPW-G-KBBERE1	11-pin WLP Type-B	Embossed Carrier Tape	10,000
MB85AS8MTPW-G-KBCERE1	11-pin WLP Type-C	Embossed Carrier Tape	10,000

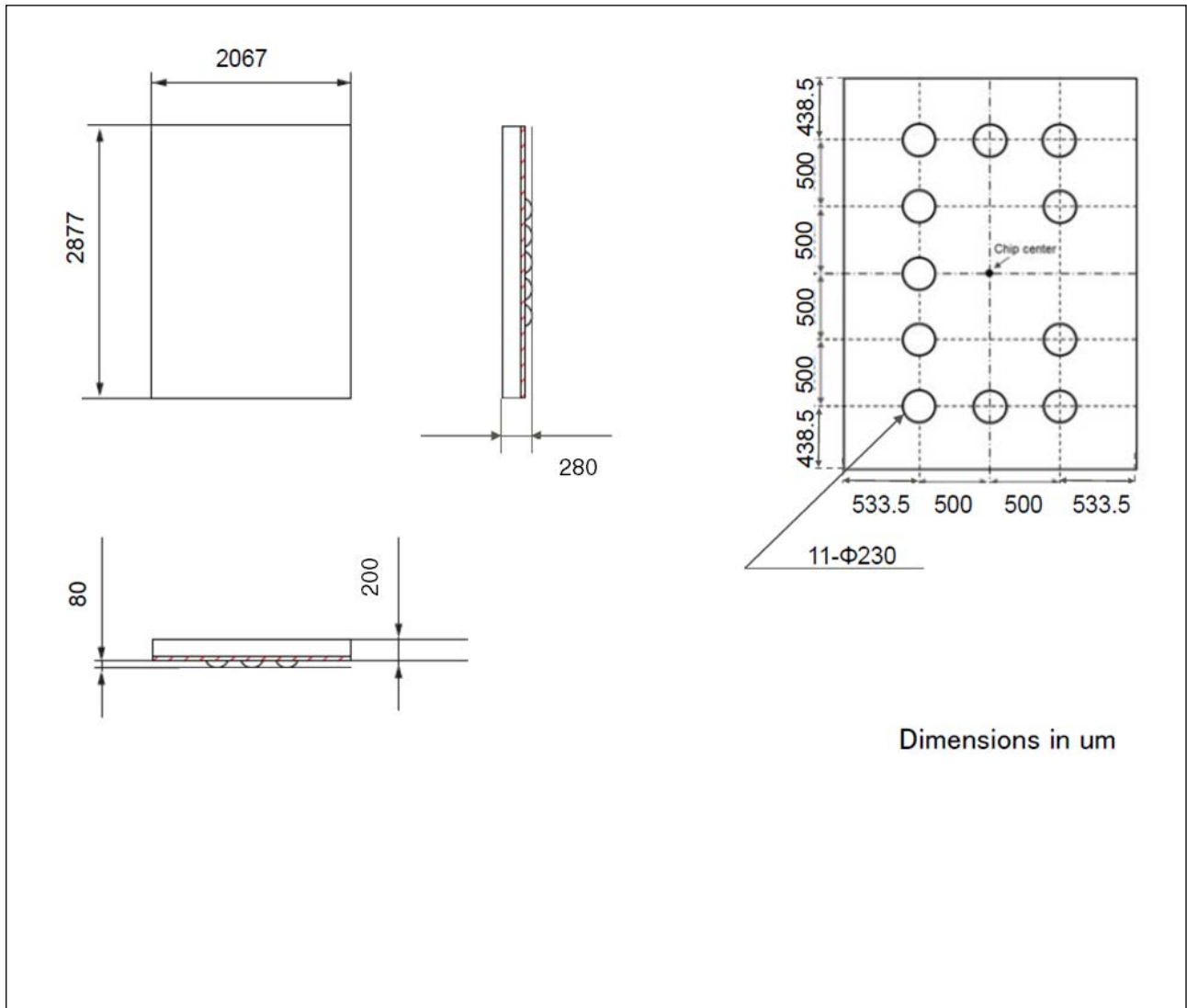
■ PACKAGE DIMENSION

<p>11-pin WLP</p>  <p>MB85AS8MTPW-G-KBAERE1 MB85AS8MTPW-G-KBBERE1</p>	Bump pitch	0.5 mm
	Package width × package length	2.067 mm × 2.877 mm
	Bump shape	Soldering ball
	Mounting height	0.385 mm

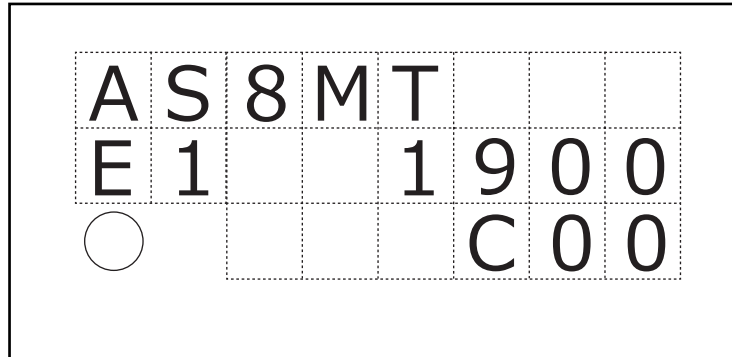


MB85AS8MT

<p>11-pin WLP</p>  <p>MB85AS8MTPW-G-KBCERE1</p>	Bump pitch	0.5 mm
	Package width × package length	2.067 mm × 2.877 mm
	Bump shape	Soldering ball
	Mounting height	0.280 mm

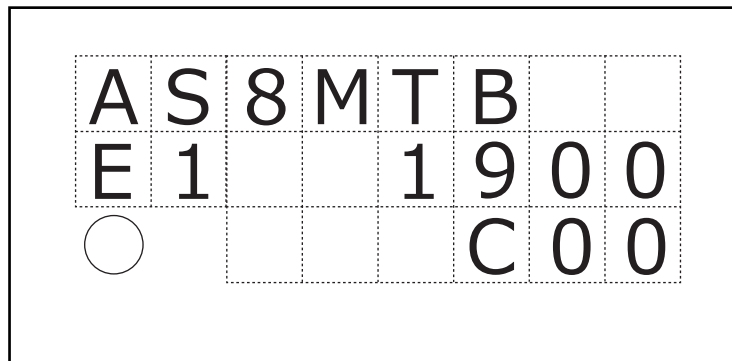


■ MARKING (11-pin WLP)



11-pin WLP Type A

AS8MT : Product name
 E1 : Fixed code
 1900 : Year and Week code
 C00 : C (Fixed code)+00 (Trace code)



11-pin WLP Type B

AS8MTB : Product name+B (Fixed code)
 E1 : Fixed code
 1900 : Year and Week code
 C00 : C (Fixed code)+00 (Trace code)

MB85AS8MT

A	S	8	M	T	C		
E	1			1	9	0	0
○					C	0	0

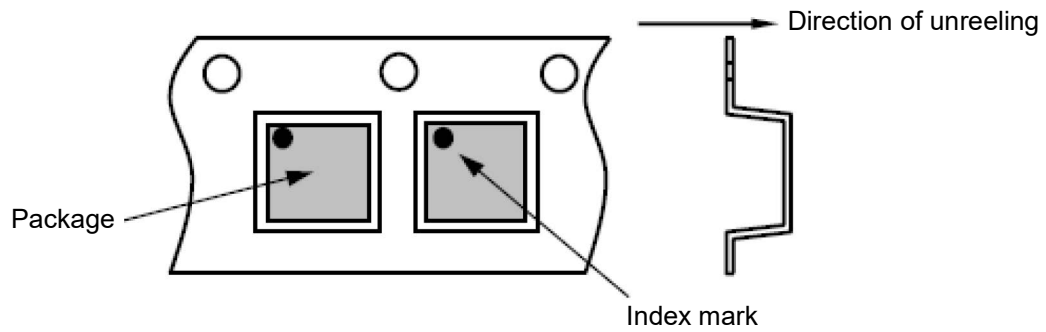
11-pin WLP Type C

AS8MTC : Product name+C (Fixed code)
E1 : Fixed code
1900 : Year and Week code
C00 : C (Fixed code)+00 (Trace code)

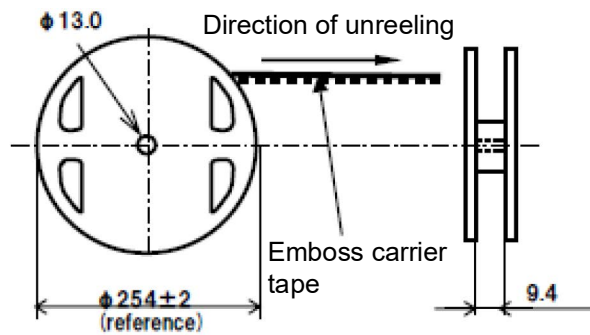
■ PACKING FIGURE

1. Emboss carrier tape and package direction of storage

Unit: mm

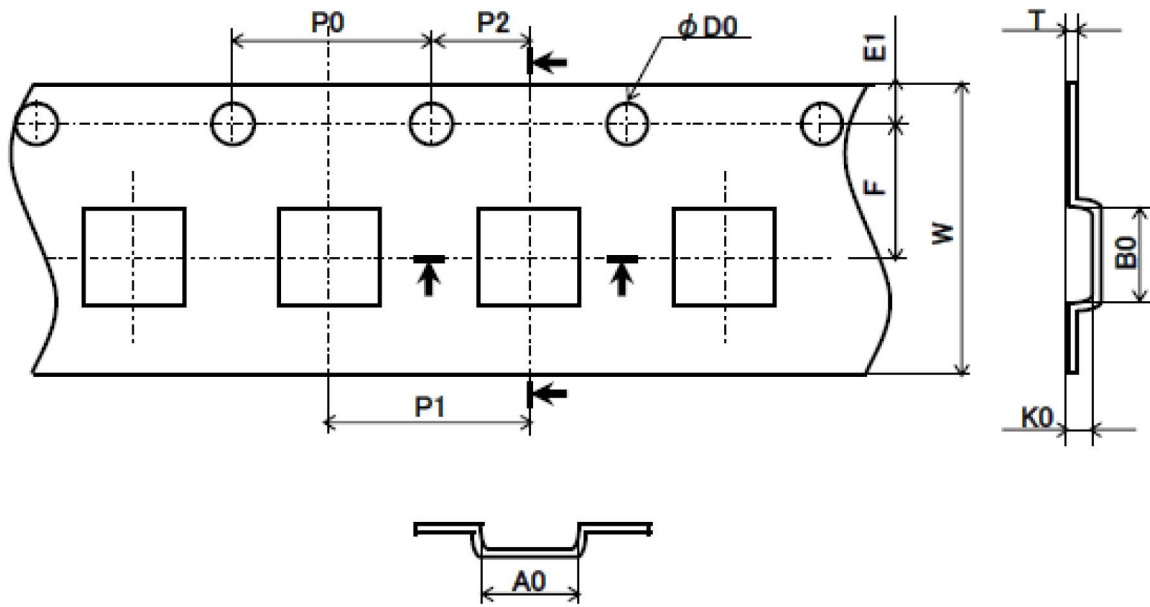


2. Reel



MB85AS8MT

■ EMOSS CARRIER TAPE DRAWING



Unit: mm

Dimensions of Emboss carrier tape					
W	A0	B0	K0	T	P0
8.0 ± 0.3	2.25 ± 0.05	3.25 ± 0.05	0.60 ± 0.05	0.25 ± 0.05	4 ± 0.1
P1	P2	φD0	E1	F	
4 ± 0.1	2 ± 0.05	1.5 + 0.1 - 0	1.75 ± 0.1	3.5 ± 0.05	

■ MAJOR CHANGES IN THIS EDITION

A change on a page is indicated by a vertical line drawn left side of that page.

Page	Section	Change Results
23	■PACKAGE DIMENTION	8-pin SOP is omitted.

MB85AS8MT

RAMXEED LIMITED

Shin-Yokohama Chuo Building, 2-100-45 Shin-Yokohama,
Kohoku-ku, Yokohama, Kanagawa 222-0033, Japan
<https://ramxeed.com/>

All Rights Reserved.

RAMXEED LIMITED, its subsidiaries and affiliates (collectively, "RAMXEED ") reserves the right to make changes to the information contained in this document without notice. Please contact your RAMXEED sales representatives before order of RAMXEED device.

Information contained in this document, such as descriptions of function and application circuit examples is presented solely for reference to examples of operations and uses of RAMXEED device. RAMXEED disclaims any and all warranties of any kind, whether express or implied, related to such information, including, without limitation, quality, accuracy, performance, proper operation of the device or non-infringement. If you develop equipment or product incorporating the RAMXEED device based on such information, you must assume any responsibility or liability arising out of or in connection with such information or any use thereof. RAMXEED assumes no responsibility or liability for any damages whatsoever arising out of or in connection with such information or any use thereof.

Nothing contained in this document shall be construed as granting or conferring any right under any patents, copyrights, or any other intellectual property rights of RAMXEED or any third party by license or otherwise, express or implied. RAMXEED assumes no responsibility or liability for any infringement of any intellectual property rights or other rights of third parties resulting from or in connection with the information contained herein or use thereof.

The products described in this document are designed, developed and manufactured as contemplated for general use including without limitation, ordinary industrial use, general office use, personal use, and household use, but are not designed, developed and manufactured as contemplated (1) for use accompanying fatal risks or dangers that, unless extremely high levels of safety is secured, could lead directly to death, personal injury, severe physical damage or other loss (including, without limitation, use in nuclear facility, aircraft flight control system, air traffic control system, mass transport control system, medical life support system and military application), or (2) for use requiring extremely high level of reliability (including, without limitation, submersible repeater and artificial satellite). RAMXEED shall not be liable for you and/or any third party for any claims or damages arising out of or in connection with above-mentioned uses of the products.

Any semiconductor devices fail or malfunction with some probability. You are responsible for providing adequate designs and safeguards against injury, damage or loss from such failures or malfunctions, by incorporating safety design measures into your facility, equipments and products such as redundancy, fire protection, and prevention of overcurrent levels and other abnormal operating conditions.

The products and technical information described in this document are subject to the Foreign Exchange and Foreign Trade Control Law of Japan, and may be subject to export or import laws or regulations in U.S. or other countries. You are responsible for ensuring compliance with such laws and regulations relating to export or re-export of the products and technical information described herein. All company names, brand names and trademarks herein are property of their respective owners.